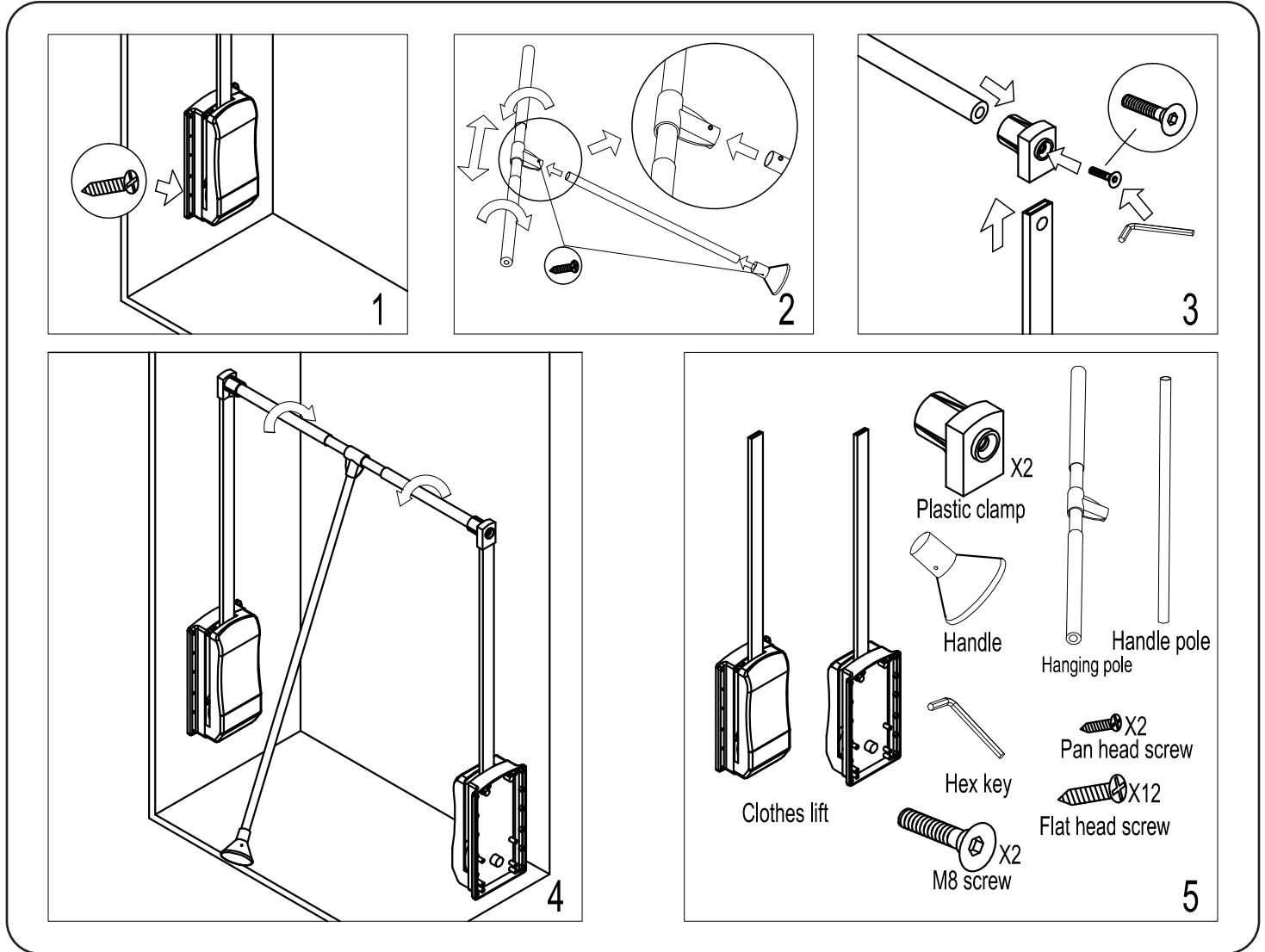




Wardrobe Lifter



Instructions:

1. Fix both left and right system by at least 8 piece flat head screw on each system for better result, please fix 12 pieces, screw on each system.
2. Assemble the handle pole, hanging pole and handle, fixed them by using pan head screws, then adjust dimension of the length of hanging pole according to the dimension of back board, then rotate them tightly.
3. Place the plastic clamp on both side insert the hanging pole to the plastic clamp and fix it together by using the hex key.
4. Adjust the hanging pole to the suitable length and twist it like the arrow to fasten it tight.

